



TECHNICAL DATA

Redfix C

Antivibration hangers for walls and ceilings

Technical specification

"C" shaped decoupling hanger for metal studs in gypsumboard wall linings and for ceilings suspended with single frames, with dimension 50 mm x 50 mm (base) and length ... mm, with an antivibration rubber mount and washer.

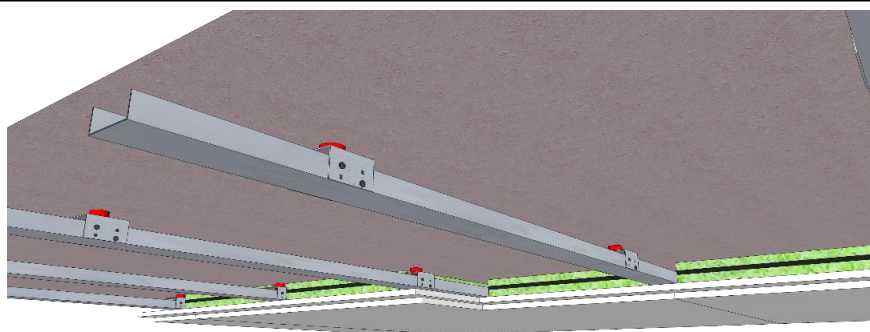


- **Complete separation between structure and base wall/ceiling**
- **High acoustic and mechanical performance**
- **Suitable for all supporting base walls and ceilings**

PHYSICAL CHARACTERISTICS	Standard	Unit	C28	C50	C100	Tolerance
Base dimension		mm	50 x 50			± 1%
Length		mm	28	50	100	± 1%
Thickness of antivibration support		mm	10			± 1%
Weight (including antivibration support)		g	47	64	102	± 5%
Colour			steel/red			

TECHNICAL AND PHYSICAL CHARACTERISTICS	Standard	Unit	C28	C50	C100	Tolerance
Antivibration support						
Hardness	ASTM D2240	Shore A		45		-
Density	ASTM D792	kg/m ³		1030		-
Tensile strength at break	ASTM D412-C	MPa		3,3		-
Elongation at break	ASTM D412-C	%		650		-
Mounting bracket						
Thickness				10/10		-
Washer						
External diameter		mm		24		-
Hole diameter		mm		8		-

INSTALLATION INSTRUCTIONS



Make the holes in the ceiling to set the position of Redfix C elements for the installation of a single steel frame C 50/27, with a spacing of 50 cm (usually). For the total number of hangers, consider a specific load of maximum 25 kg for each hanger. The connection should be made exclusively on the structural elements of the floor with homologated steel anchors as Fischer FNA II, FBN II, FBS for traditional floors or or structural screws for wooden floors. Fasten the steel frames to the Redfix C hangers using wafer head drywall screws.

The suggestions and technical information given above represent our knowledge regarding the properties and the product's uses. ISOLGOMMA reserve the right to modify or update this data without prior notice. This document is the property of ISOLGOMMA and all rights are therefore reserved.



TECHNICAL DATA

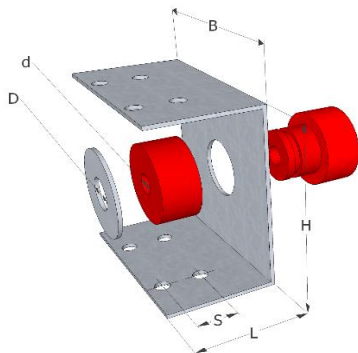
Redfix C

Antivibration hangers for walls and ceilings

DIMENSION AND MOUNTING

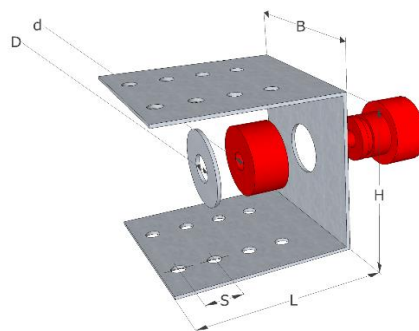
Redfix C 28

B x H = 50 x 50 mm; S = 10 mm; L = 28 mm
D = 8 mm; d = 6,5 mm



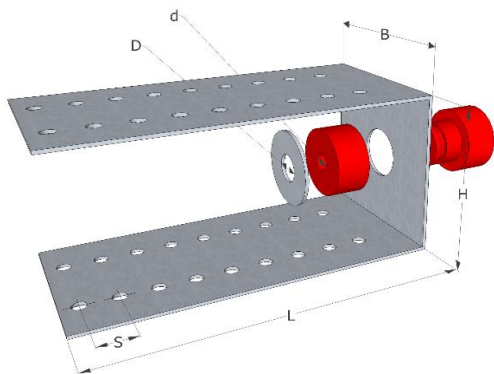
Redfix C 50

B x H = 50 x 50 mm; S = 10 mm; L = 50 mm
D = 8 mm; d = 6,5 mm



Redfix C 100

B x H = 50 x 50 mm; S = 10 mm; L = 100 mm
D = 8 mm; d = 6,5 mm



The suggestions and technical information given above represent our knowledge regarding the properties and the product's uses. ISOLGOMMA reserve the right to modify or update this data without prior notice. This document is the property of ISOLGOMMA and all rights are therefore reserved.